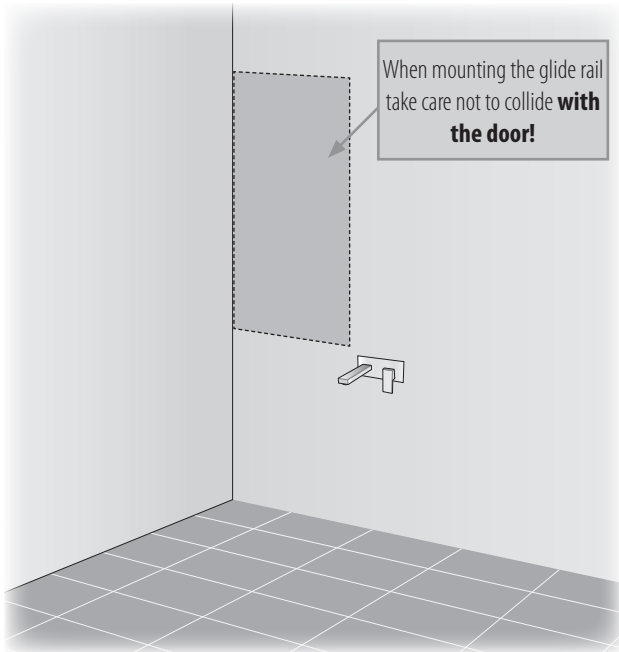
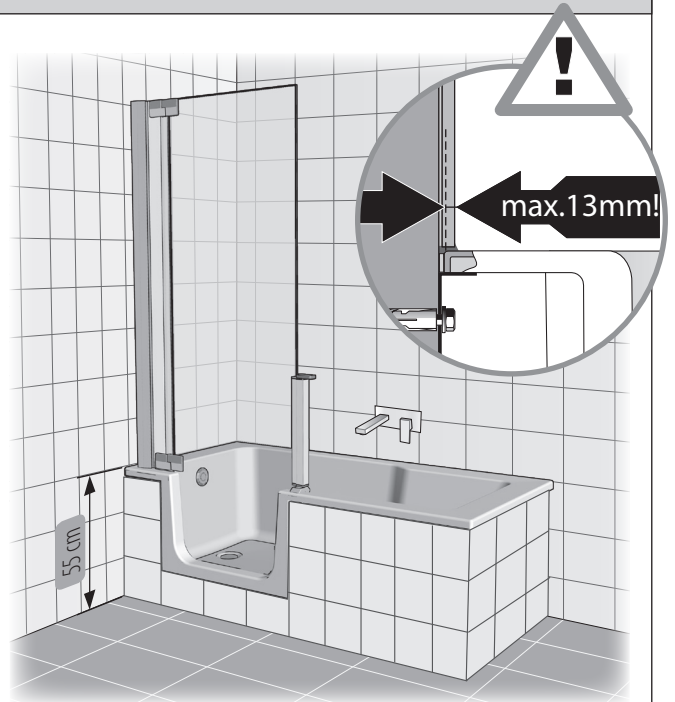


INSTALLATION - on completed floor

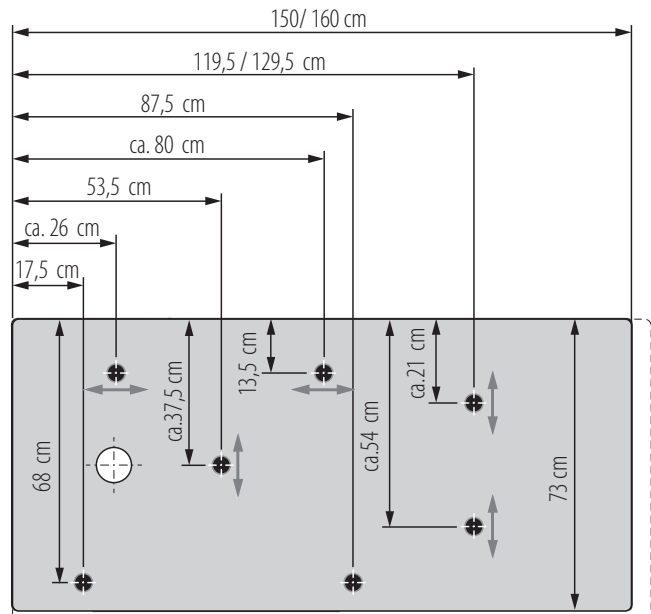
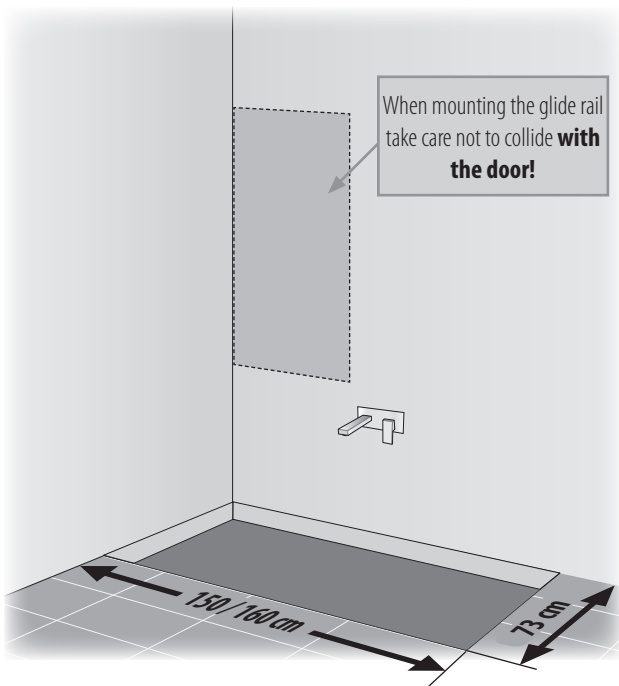


When installing the shower door on the already tiled wall a 1.2 cm compound bracket is required. Do not tile tub before installation!



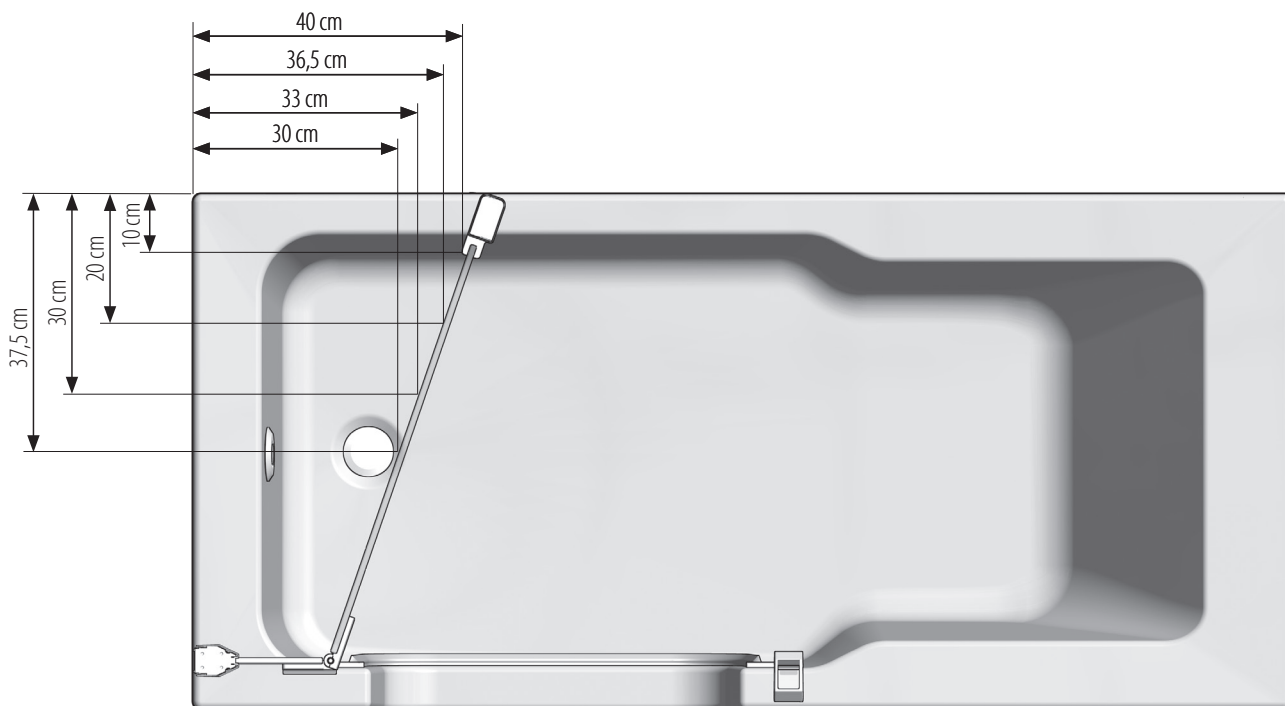
The tub may tiled over at a **maximum of 13 mm!**
The area under the tub must also be completely tiled!
However, the walls must not be tiled.

INSTALLATION - on raw concrete (casing dimensions)



IMPORTANT! The dimensions of the casing must be observed exactly! The tub can be set **exactly 14 cm lower!**

GLIDE RAIL/HAND SHOWERHEAD - installation area



ODOUR-TRAP - installation area

Total shower height	205
Room height required	+4,0
Entry height	19,5
Drain	Ø 50 mm

